

1

2

3

4

5

6

A

A

B

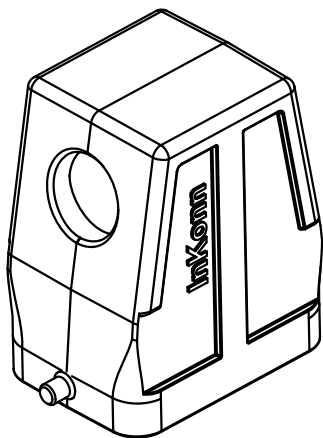
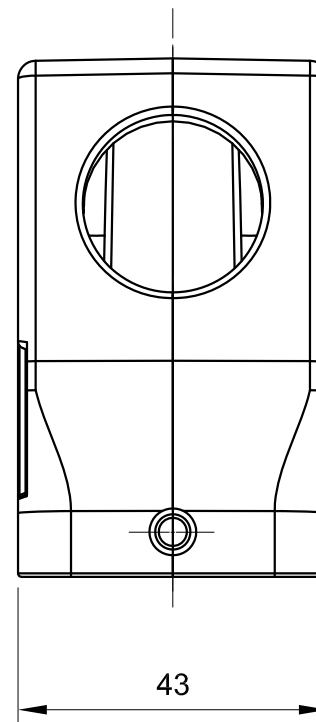
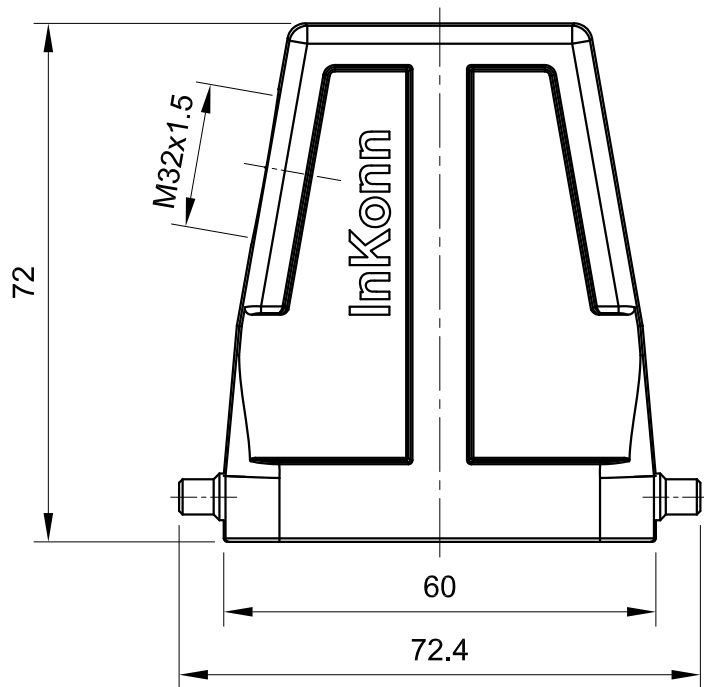
B



C

C

D

D



 All Dimensions in mm Original Size DIN A4	Date 2019-10-10	Drawing No. TC3567319	Rev. A00	Scale 1:1
	 InKonn® InKonn (Suzhou) Electric Technology Co.,Ltd.	Part No. 10 14 006 1103	Created by Shuxu Huang	Checked by Yiyi Luo
Type Name HEMCB6-HSE-DP-M32				

1

2

3

4

5

6